

BILL TO/PCC# _____

SHIP TO: _____

ADDRESS: _____

ADDRESS: _____

SAME AS BILLING

CLINICIAN: _____

PATIENT ID: _____ **STOCK ONLY**

CELL #: _____

Click here to email form > HFN_Arizona@Hanger.com CUSTOMER SERVICE PHONE: 480-894-1755

@	X-SML (F5730)	@	CM	QTY:
15"	18 1/2" - 20 1/2"	38	47-52	Shipping <input type="checkbox"/> Next Day Air <input type="checkbox"/> 2 Day <input type="checkbox"/> Ground
12"	18" - 20"	30.5	46-51	
9"	17 3/8" - 19 3/8"	24	44-49	
6"	16 1/2" - 18 1/2"	15	42-47	
3"	15" - 17"	8	38-43	

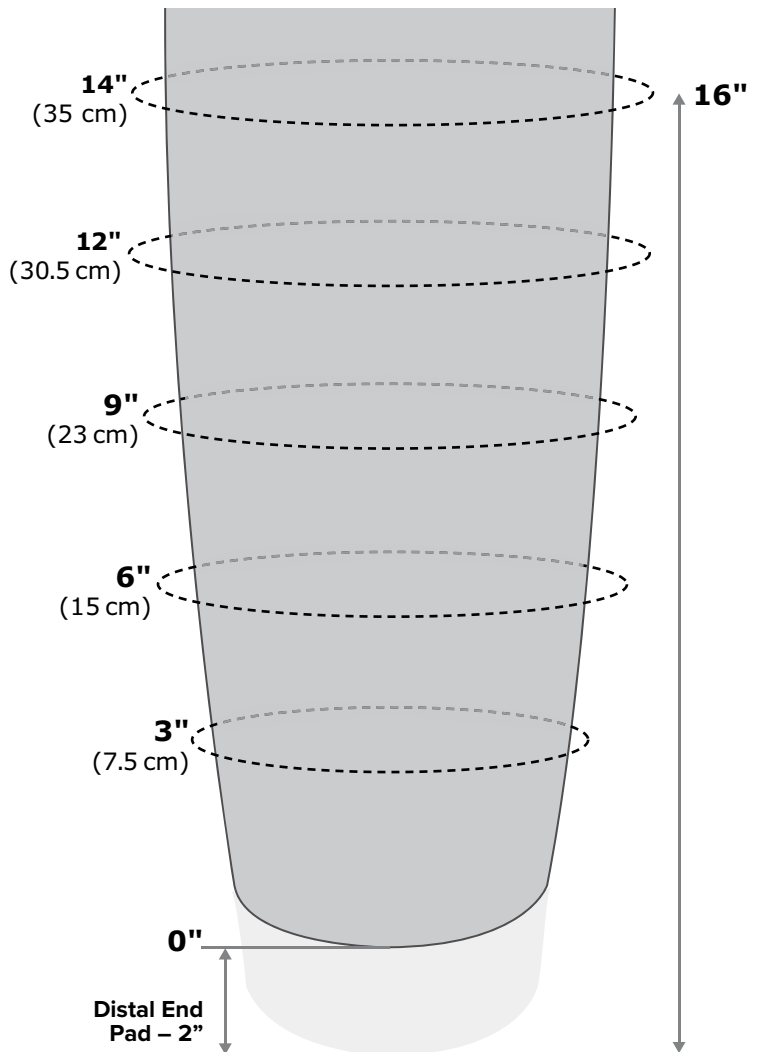
@	SML (F5731)	@	CM	QTY:
15"	20 1/2" - 22 1/2"	38	52-57	Shipping <input type="checkbox"/> Next Day Air <input type="checkbox"/> 2 Day <input type="checkbox"/> Ground
12"	20" - 22"	30.5	51-56	
9"	19" - 21"	24	48-53	
6"	16 3/4" - 19 3/4"	15	42-50	
3"	16 1/4" - 18 1/4"	8	41-46	

@	MED (F5732)	@	CM	QTY:
15"	21 3/4" - 23 3/4"	38	55-60	Shipping <input type="checkbox"/> Next Day Air <input type="checkbox"/> 2 Day <input type="checkbox"/> Ground
12"	21" - 23"	30.5	53-58	
9"	20" - 22"	24	51-46	
6"	18 3/4" - 20 3/4"	15	48-53	
3"	17" - 19"	8	43-48	

@	LRG (F5733)	@	CM	QTY:
15"	25" - 27"	38	64-69	Shipping <input type="checkbox"/> Next Day Air <input type="checkbox"/> 2 Day <input type="checkbox"/> Ground
12"	24" - 26"	30.5	61-66	
9"	22 1/2" - 24 1/2"	24	57-62	
6"	20 3/4" - 22 3/4"	15	53-58	
3"	18 5/8" - 10 5/8"	8	47-52	

@	X-LRG (F5734)	@	CM	QTY:
15"	26 5/8" - 28 5/8"	38	68-73	Shipping <input type="checkbox"/> Next Day Air <input type="checkbox"/> 2 Day <input type="checkbox"/> Ground
12"	25 3/4" - 27 3/4"	30.5	65-70	
9"	24" - 26"	24	61-66	
6"	22 1/4" - 24 1/4"	15	57-62	
3"	20" - 22"	8	51-56	

SIZING SPECIFICATIONS (IN/CM)
Measure circumference from distal to proximal



- Total cone height is 16" (40 cm).
- Cut the proximal brim to desired overall length per the instruction sheet enclosed with AmpuShield®.
- Universal customizable Power Belt is included with each device.

TURNAROUND TIMES

To review current projected turnaround times for fabrication sites visit the [Daily HFN Capacity Webpage](#).